



# BRAVO MC

## Wireless Magnetic Contact

**EN 50131**  
**GRADE 2 Class II**

### Description

BRAVO MC is a wireless magnetic contact designed for operation in BRAVO wireless intruder alarm systems or with ECLIPSE WL wireless expander module in ECLIPSE hybrid systems. The detector is suitable for monitoring of entry-exit or instant type zones and can be located in a distance up to 400m away from the control panel.

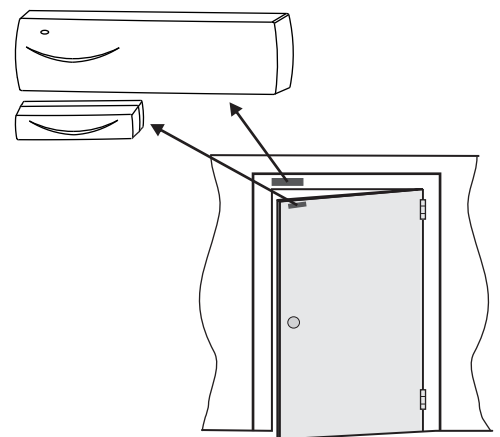
The detector has an additional hardware zone for connecting of wired magnetic contacts.

BRAVO MC wireless magnetic contact is certified to EN50131, GRADE 2, Class II.



### Technical Specifications

Battery	1x3V/1500mAh, CR123A type
Battery life	3 years
Operation frequency	868MHz
Radio distance (open space)	up to 400m
Operation temperature	-10°C ÷ +50°C
Storing temperature	-40°C ÷ +50°C
Operation distance	25-30mm
Dimensions	93 x 31 x 27 mm



### Functional Specifications

- Quick and easy mounting in the protected site
- Suitable for detecting of door or window opening
- Bi-directional tamper switch for self-protection of the box
- Reset button for restoring the factory settings
- Hardware zone
- Plastic pads for the magnet when mounting on metal surfaces

### Packing Information

- **Single packing box** - 1 unit BRAVO MC, dimensions 107 x 31 x 76mm
- **Master packing box** - 130 units BRAVO MC, dimensions 500 x 367 x 230mm

### Compatible Product Range

- **BRAVO EXT** - Wireless panel with external power supply
- **BRAVO INTR** - Wireless panel with built-in power supply
- **ECLIPSE WL** - Wireless expander module for ECLIPSE control panels

### Contact Information