

SensoMAG M40 Combined Fire Alarm Detector

EN54-5/7

Description

SensoMAG M40 is a combined (optical-smoke and rate-of-rise) detector with digital processing algorithm. The integrated automatic drift compensation reduced significantly the false alarms.

SensoMAG M40 is suitable for installing in any conventional fire alarm system designed with fire alarm panel with fire alarm threshold between 10mA and 15mA.



Technical and Environmental Specifications

Operating Voltage Range 9 - 30 V DC (Nom. 12/24VDC)

Average current consumption in quiescent state. . < 50µA

Alarm state current:

- with base type B24 and B24D 20 mA / 12 30V
- with base type B24RD 33 mA / 12V; 49mA/24V; 57mA/30V
- with base type B12L/U 18 mA / 9V; 29mA/12V; 32mA/15V

Class (in accordance with EN54-5/7) A1R

Output in alarm state at terminal RI 20mA (max)/ -3.3V
(Towards terminals +IN /+OUT)

Degree of protection IP30

Wire Gauge for terminals 0.4mm² 2.0mm²

Operational temperature range -10°C +60°C

Relative humidity resistance (93 ± 3)% @ 40°C

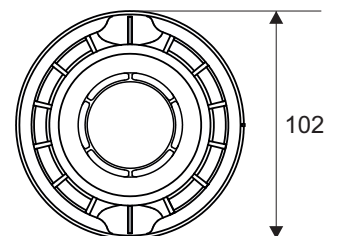
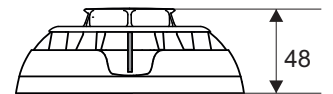
Dimensions (incl. base) ø102mm, h 48mm

Weight (incl. base) 170g

CE 09
1293

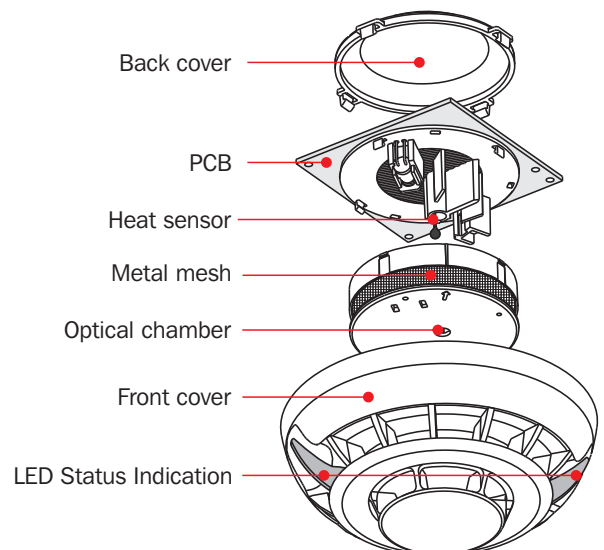
DoP No: 049

1293-CPD-0120



Application

SensoMAG M40 is a combined smoke and rate-of-rise temperature detector. It is the right choice for applications where the early detection of a fire situation is with great importance and high reliability is needed - in timbered, museums, hotel rooms.



Contact Information:

SensoMAG M40 Combined Fire Alarm Detector

EN54-5/7

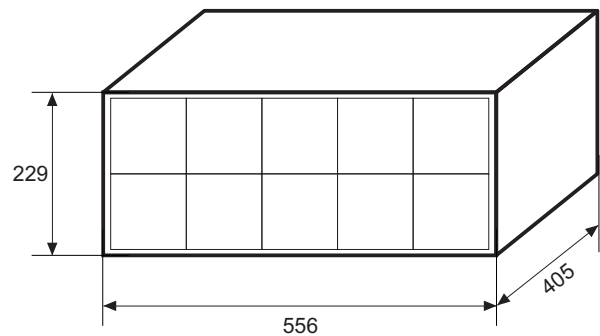
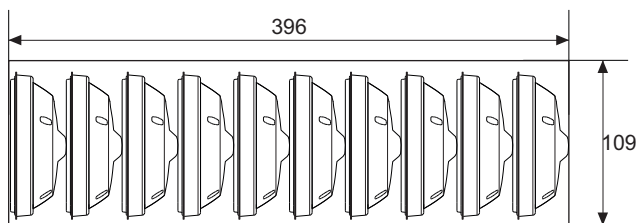
Packing Information

• **Master box** - 10 units SensoMAG M40, no bases included, dimensions 396 x 109 x 109 mm.

All detectors are protected with a plastic cap.

• **Carton box** - 100 units SensoMAG M40, (10 master boxes), no bases included, dimensions 556 x 405 x 229 mm.

All detectors are protected with a plastic cap.



Compatible Product Range

- **MAG2, MAG2P** - Conventional Fire Alarm Panel, 2 fixed zones
- **MAG2, MAG4P** - Conventional Fire Alarm Panel, 4 fixed zones
- **MAG8** - Conventional Fire Alarm Panel, 8 fixed zones
- **MAG8Plus** - Conventional Fire Alarm Panel, 8 fixed zones, expandable to 16
- **FRL-1** - Remote Fire Indicator
- **SensoMAG B24** - Standard Base
- **SensoMAG B24D** - Standard Base with Schottky diode
- **SensoMAG B24RD** - Standard Base with Schottky diode and increased alarm state current
- **SensoMAG B12L/U** - Base with relay output, 12V
- **Gasket ring** - Rubber gasket ring for extra protection of the smoke chamber
- **Deep Base** - Accessory for mounting on rough surfaces, outdoor pipelines, etc.

Contact Information: