

SF 200 Conventional Fire Alarm Siren

EN54-3

Description

SF 200 is an outdoor conventional piezo siren. The siren is equipped with 2 LED flash indicators for fire alarm signalization.

Technical and Environmental Specifications

Operating Voltage Range 20-30VDC
 Consumption <17mA@24V
 Sound output 96dB@1m
 Sounder Type Piezo
 LED Indication 2 LEDs
 Operating Temperature -40°C to +85°C
 Protection (for electronics) IP54
 Weight ~0.500kg
 Dimensions 270x180x85mm
 Materials (plastic), color ABS, red
 Base Frequency 3.2 - 3.8 kHz
 Modulating Frequency 3 Hz

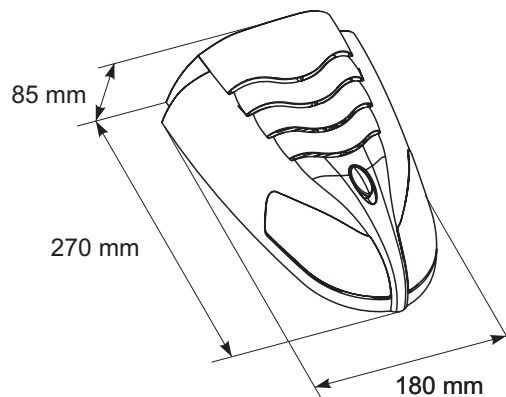


Compatible Product Range

• **MAG Series** - Conventional panels

Packing Information

• **Single packing box** - 1 unit SF 200 Conventional Fire Siren, dimensions 271x180x92mm
 • **Carton packing box** - 5 units SF 200 Conventional Fire Siren , dimensions 486x305x206mm



Contact Information: